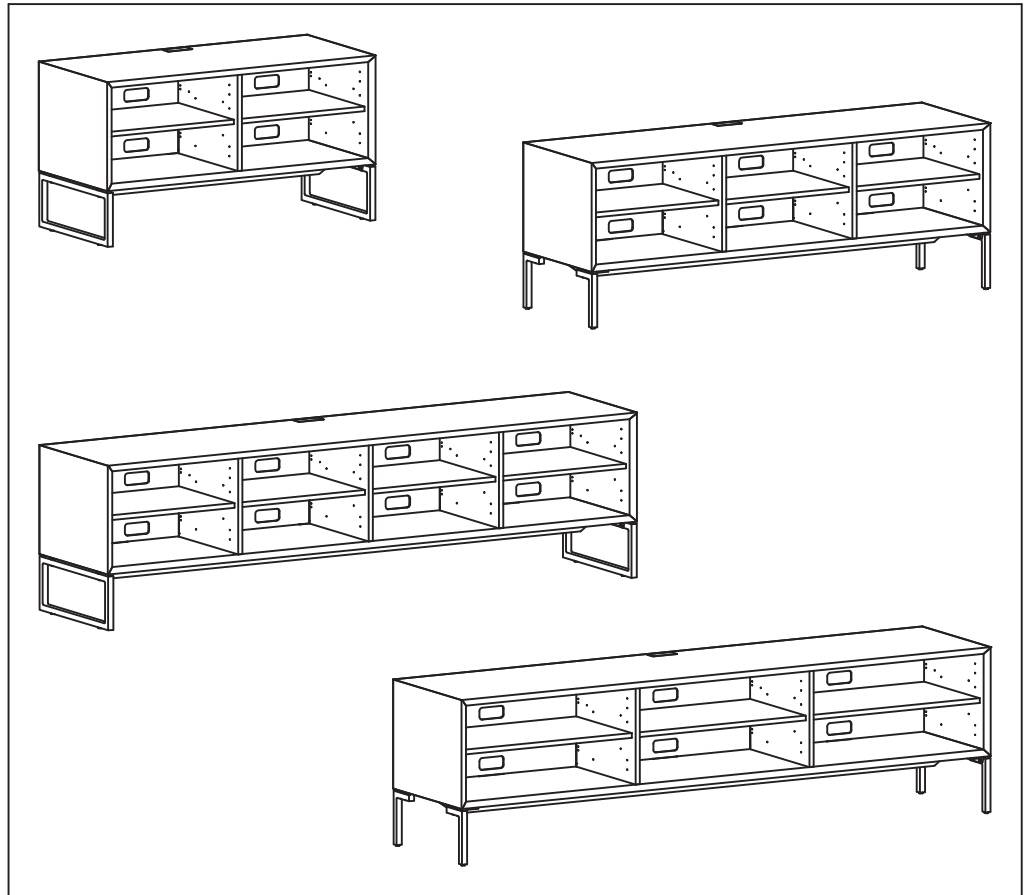


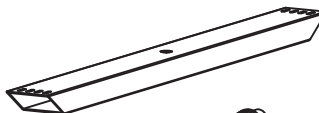


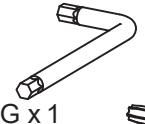









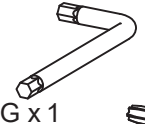




clíc alustands 2 & 3 support bars




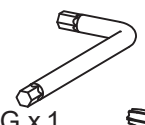
Version 1.1



Beslag inkluderet
Fittings included
Beschlage inbegriffen

120	221 Center	 A x 1	 C x 16	 E x 1	 G x 1
120S	221-2				
121	222 Center				
121S	222-2				
220 Center	420				
220-2					
		 B x 1	 D x 8	 F x 1	 H x 1

130	231	 A x 1	 C x 16	 E x 2	 G x 1
130S	231S				
131	232				
131S	232S				
230	430				
230S					
		 B x 2	 D x 8	 F x 2	 H x 1

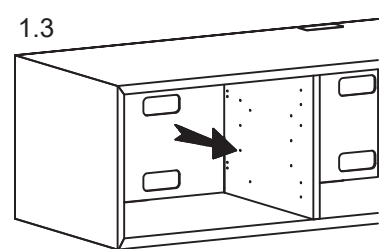
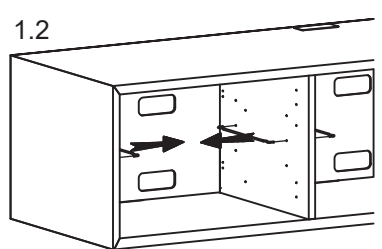
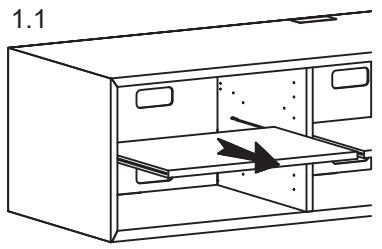
140	241	 A x 1	 C x 16	 E x 3	 G x 1
140 Center	241 Center				
140S Left	241 Large				
140S Right	241S Left				
141	241S Right				
141 Center	242				
141S Left	242 Center				
141S Right	242 Large				
240	242S Left				
240 Center	242S Right				
240 Large					
240S Left					
240S Right					

Nodvendigt værktoj
Tools needed
Benotigede Werkzeuge

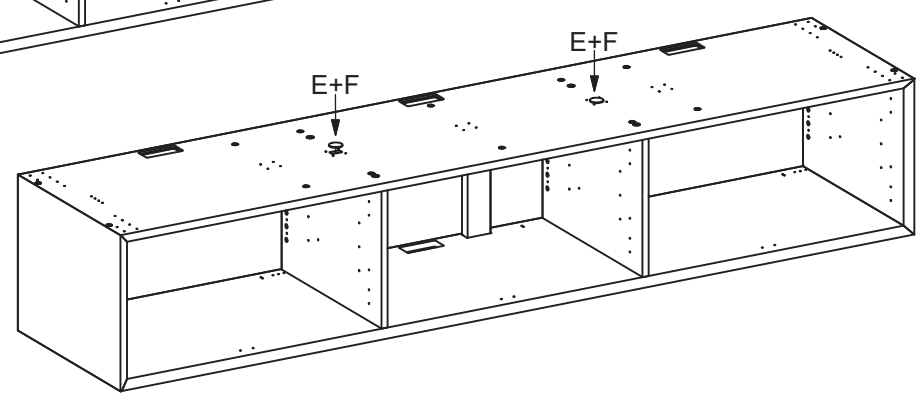
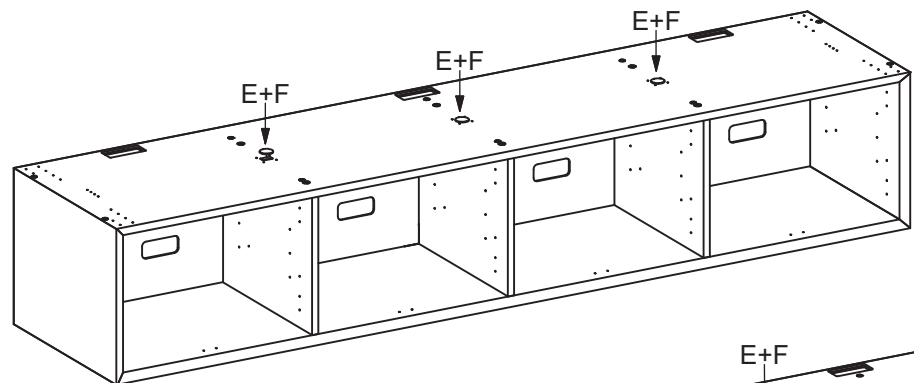
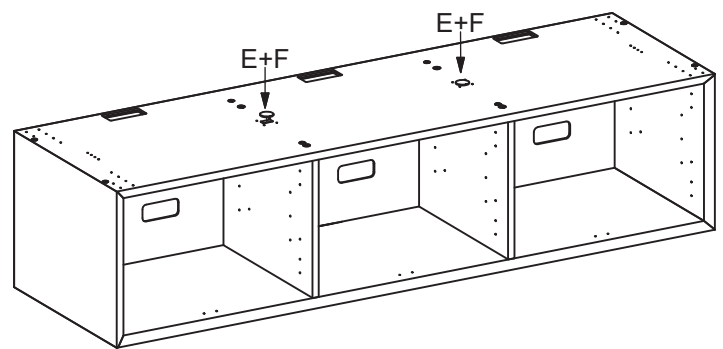
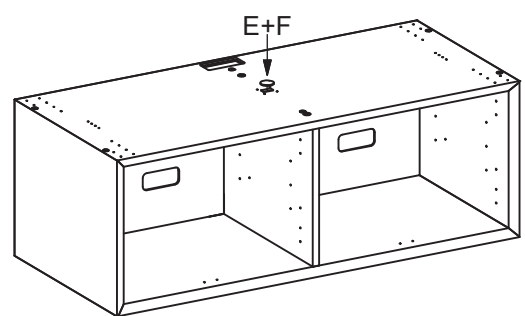
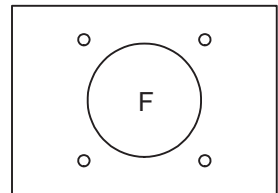
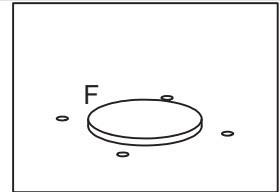
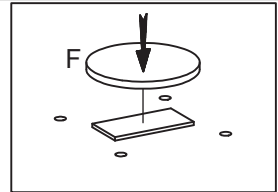
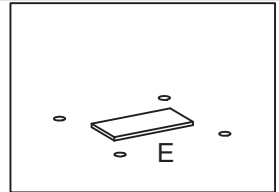


clíc alustands 2 & 3 support bars

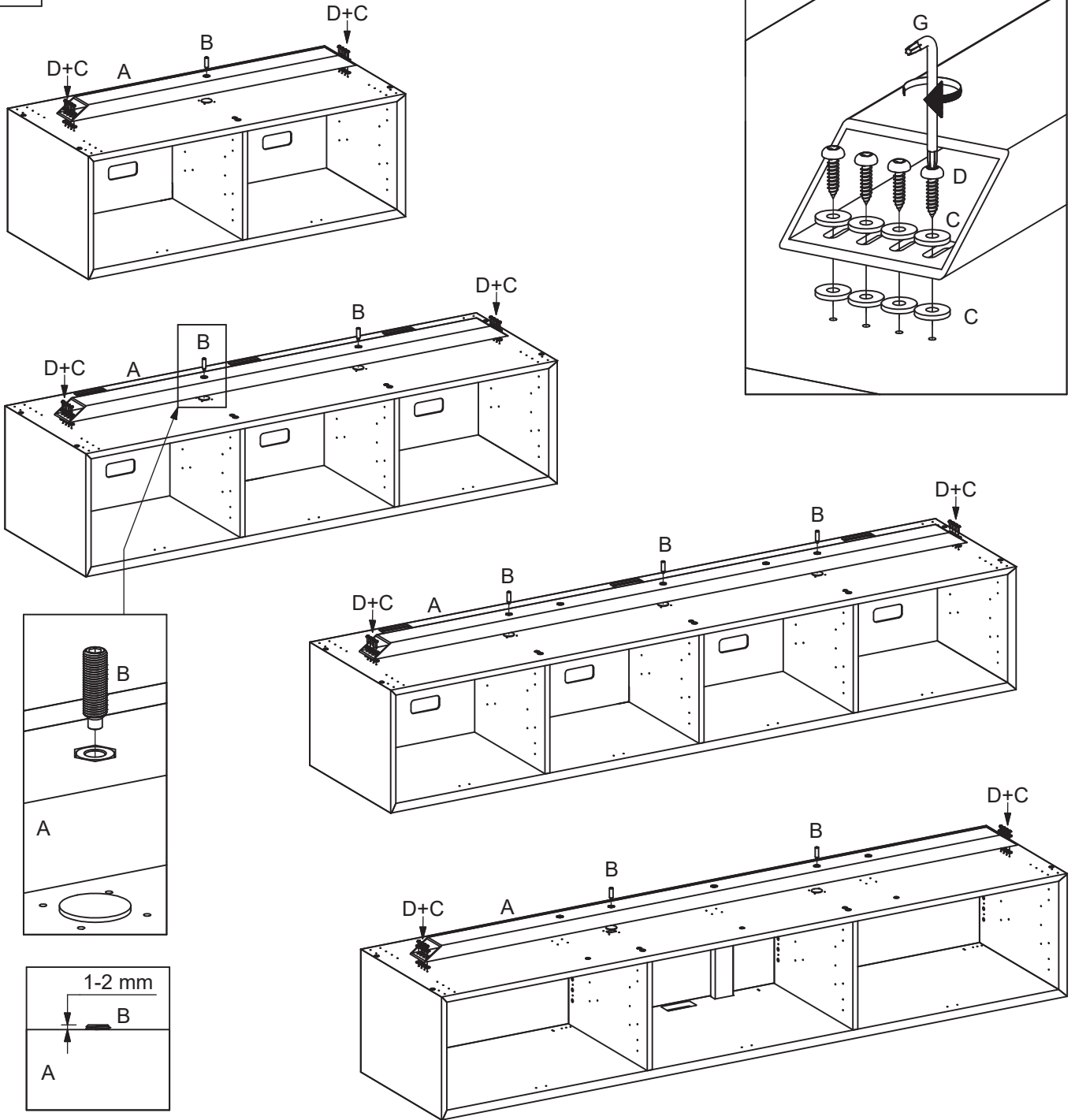
1



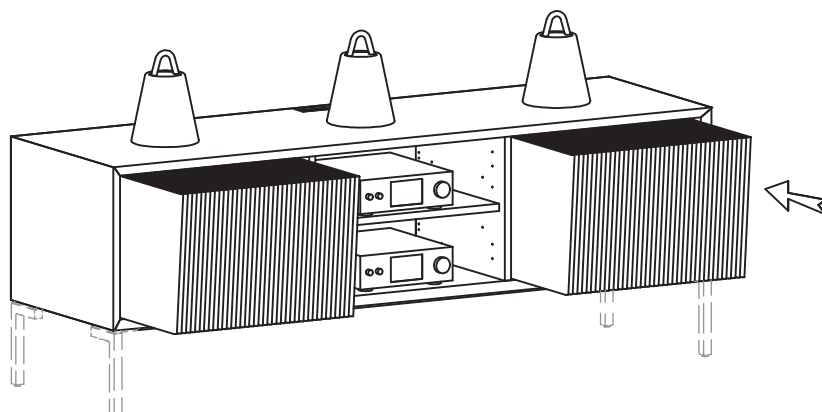
2



3



4



5

