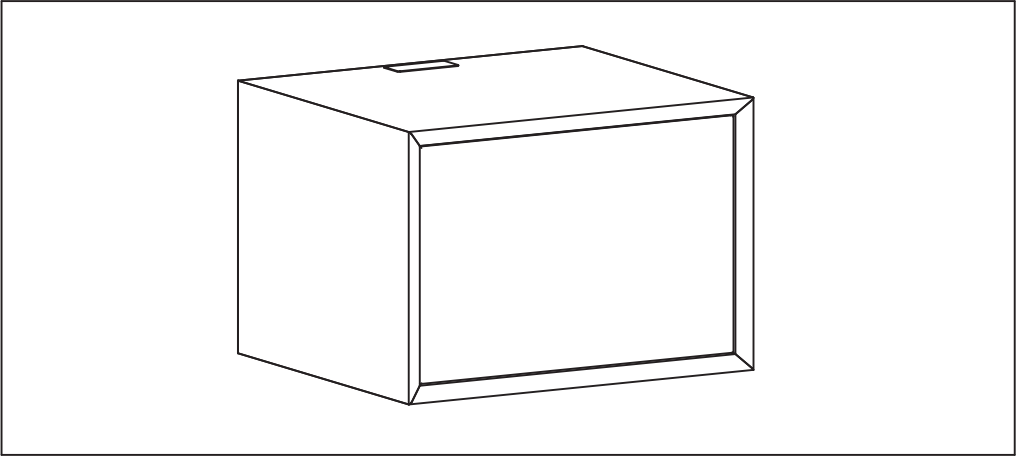




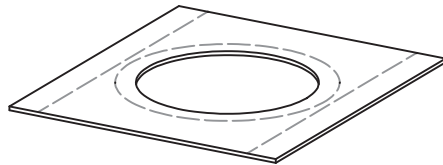
clíc Subwoofer holes

Version 1.0

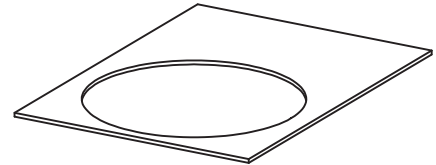


Inkluderet
Included
Inbegriffen

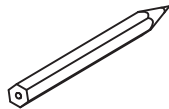
8" and 10" Subwoofer



Lyngdorf BW-2 Subwoofer

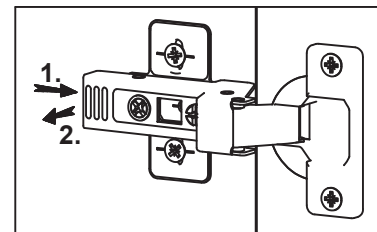
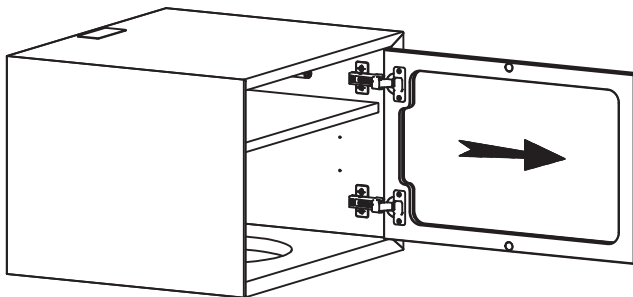


Nødvendigt værktøj
Tools needed
Benötigte Werkzeuge

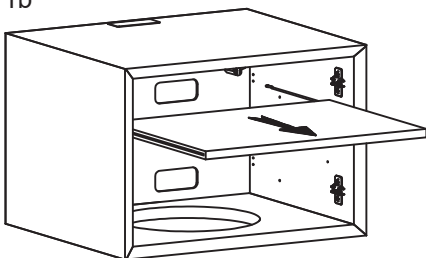


1

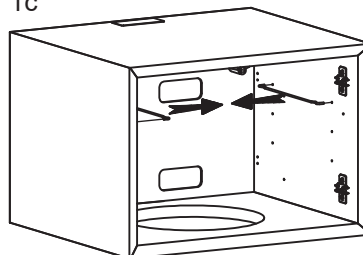
1a



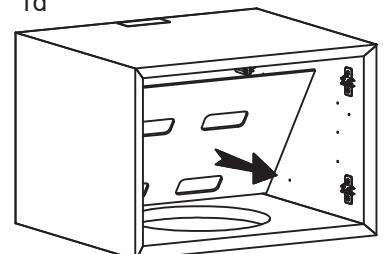
1b



1c



1d



Clic Subwoofer holes

2 8" or 10" sub

8" Subwoofer
Furniture 45,5 and 55 cm deep

8" Subwoofer
Furniture 37,5 cm deep

10" Subwoofer
Furniture 45,5 and 55 cm deep

3

4

5

6

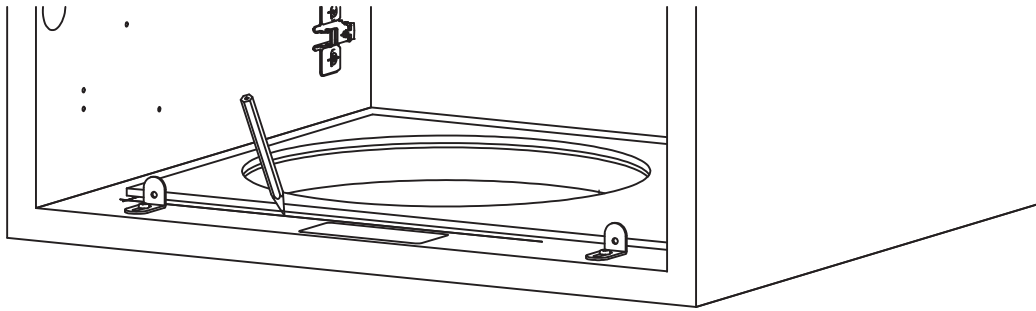
6a

6b

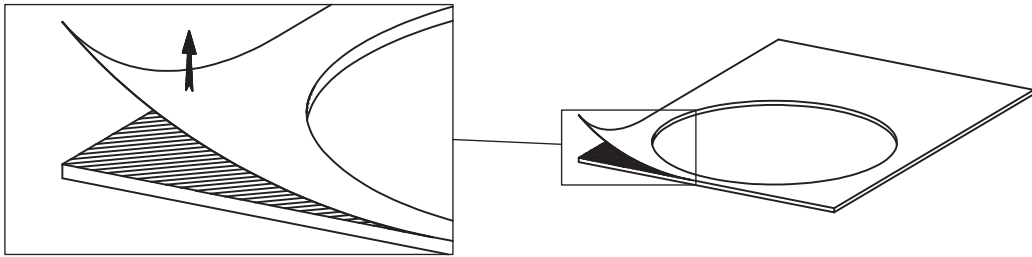
1.

2.
"click"

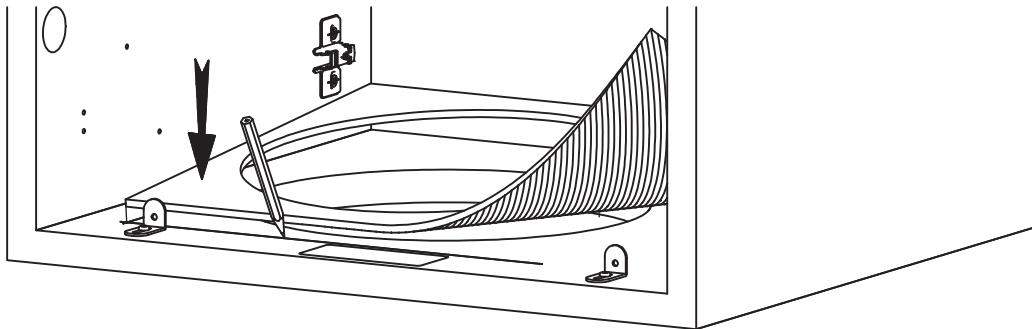
7 Lyngdorf BW-2



8

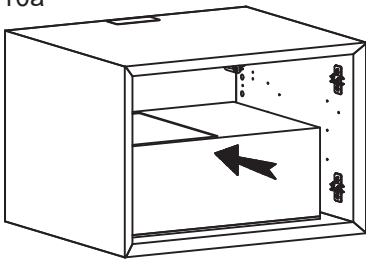


9

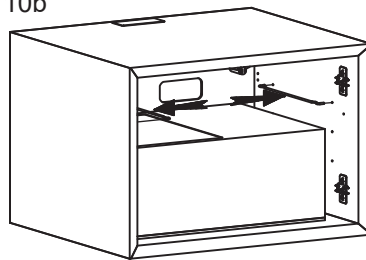


10

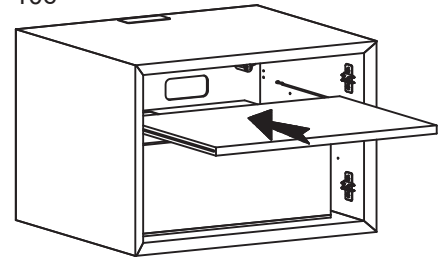
10a



10b



10c



10d

